



TECHNICAL SERVICE BULLETIN

TSB No. 210-2418 ed. 4	Date April 2006	9-3 (9400)
Distr. all		

Oil leakage from engine

Cars affected

Saab 9-3 (9400) M99 - M03 with engine variants B205 and B235

Background

The flow through the crankcase ventilation may be inadequate in certain operating conditions, and oil leakage may then arise. Most common is leakage at the joint between the timing cover, the cylinder block and the cylinder head as well as leakage at the crankshaft seal. Well functioning crankcase ventilation is also very important for avoiding increased oil consumption. Gasket replacement/resealing must only be carried out if the oil leakage does not cease after the following procedure.

In the case of customer complaint, the following procedure must be carried out.

Symptom description

Oil leakage from the engine.

Parts required

55 561 200 Renovation kit, crankcase ventilation, consists of:

Nipple

Insulation

Hose kit (x 2)

Oil filler pipe

Oil trap

Cable tie (x 2)

Bushing

If the hoses and/or check valve must be replaced:

55 560 445 (CA: 30566431) Hose to oil pan

55 560 463 (CA: 30581025) Hose for camshaft cover

93 99 973 (CA: 30585634) Hose with check valve

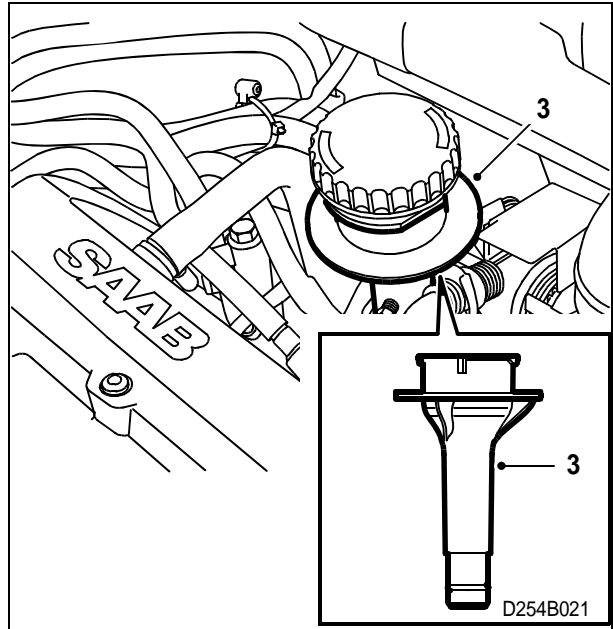
If the throttle body O-ring must be replaced:

42 26 833 (CA: 30553310) O-Ring, throttle body B205 M99-00

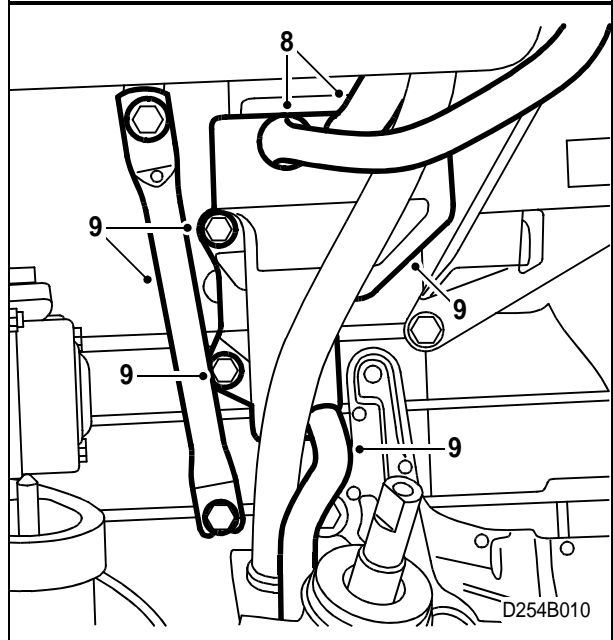
49 40 698 (CA: 30571893) O-ring, throttle body B205 M01-03, B235 M99-02

Procedure

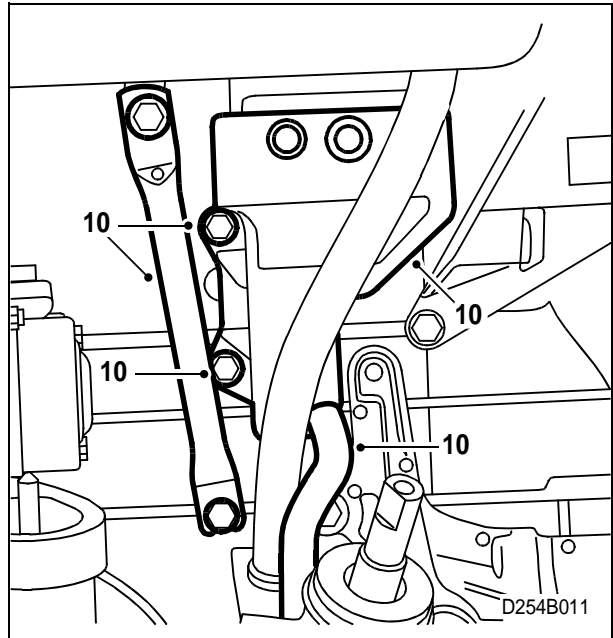
- 1 Disconnect the battery's negative cable.
- 2 Remove the upper engine cover.
- 3 Install a new oil filler pipe.
- 4 Remove the hose from the pipe connection on the turbo's intake manifold.
- 5 Remove the hoses from the nipple in the camshaft cover. Check the condition of the hoses, replace if necessary.
- 6 Remove the old nipple and bushing from the camshaft cover and install the new nipple and bushing.
- 7 Raise the car.



- 8 Remove the oil trap's two upper hoses.
- 9 Remove the lower hose to the oil trap. Remove the stay to the intake manifold and the oil trap. If necessary, remove the generator positive cable.



- 10 Install the new oil trap, the lower hose to the oil trap (replace hose if necessary) and the stay for the intake manifold. If the positive cable was removed, connect it to the generator.
- 11 Lower the car.

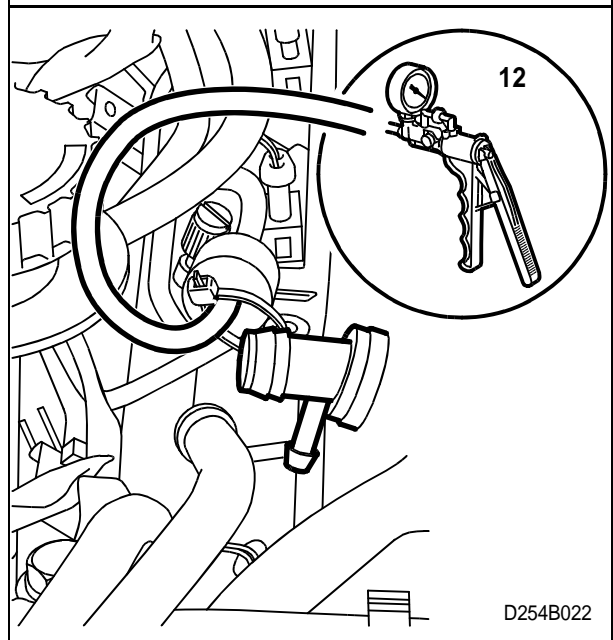


- 12 Check the function of the check valve on the small circuit with 30 14 883 Pressure/Vacuum pump, replace if necessary. The arrow must point toward the throttle body.

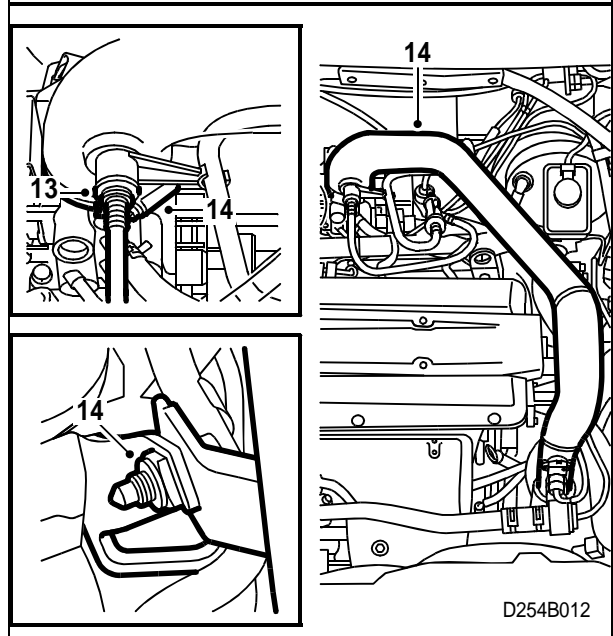
Note

Arrow's direction on the check valve.

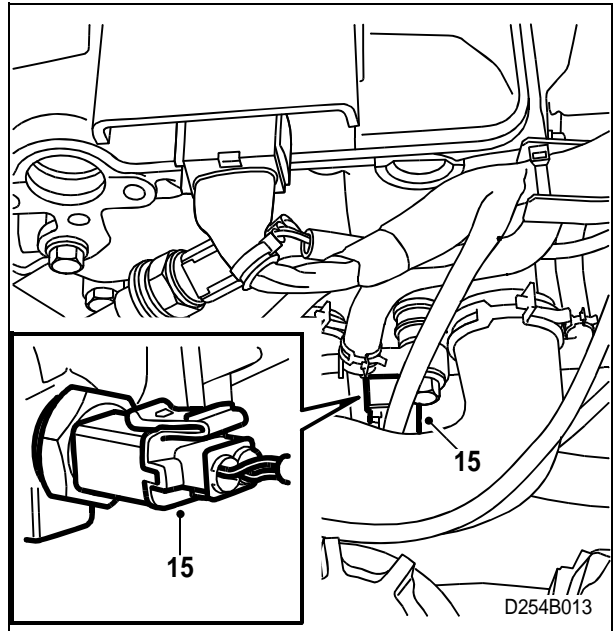
- 13 **Man:** Remove the vacuum pipe from the turbocharger delivery pipe.



- 14 Remove the upper turbocharger delivery pipe from the throttle body and cylinder head. Move the turbocharger delivery pipe aside.

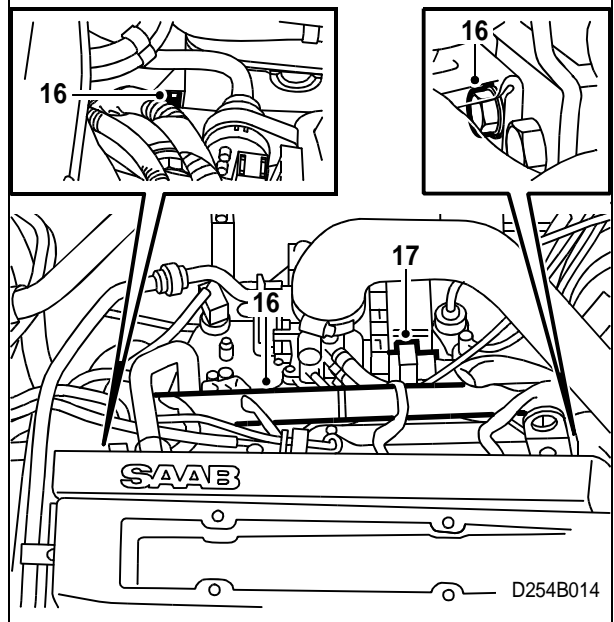


15 Unplug the temperature sensor connector.

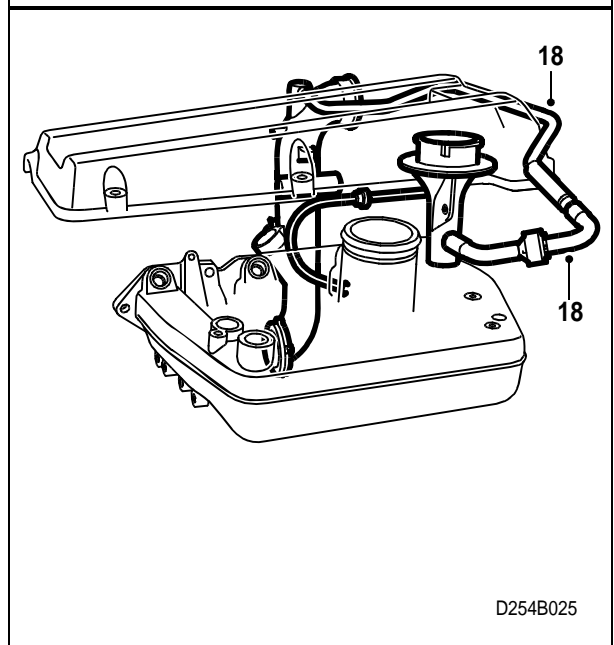


16 Detach and move aside the cable duct from the cylinder head.

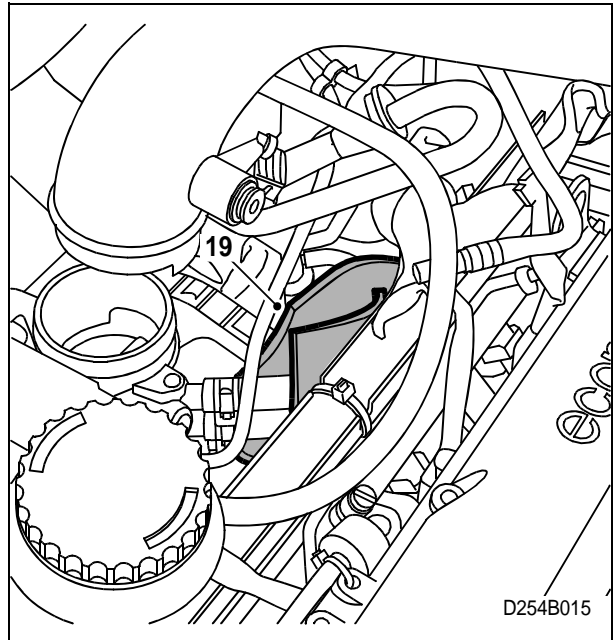
17 Unplug the throttle body connector.



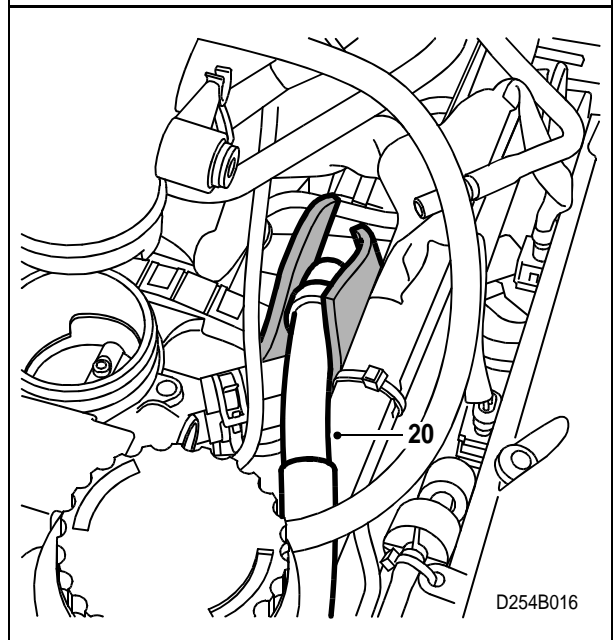
18 Connect the new hose kit (with T-connection) between the nipple on the oil filler pipe and the connection on the turbo's intake manifold.



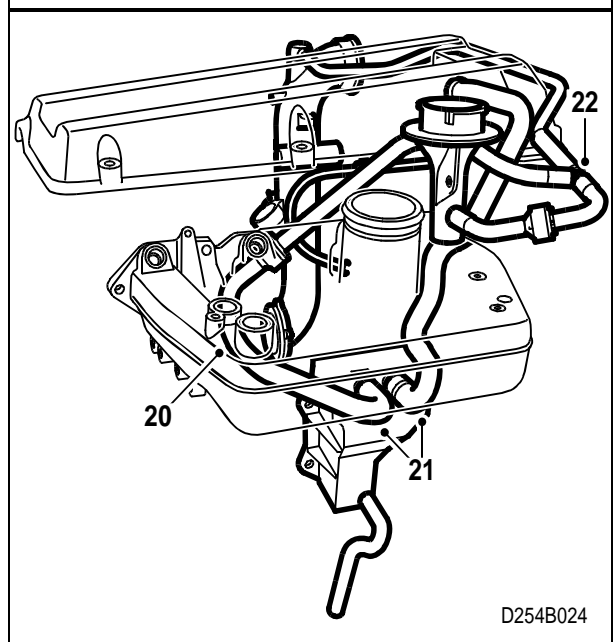
- 19 Install the insulation under the throttle body coolant hose so that the insulation's short sides point upward.



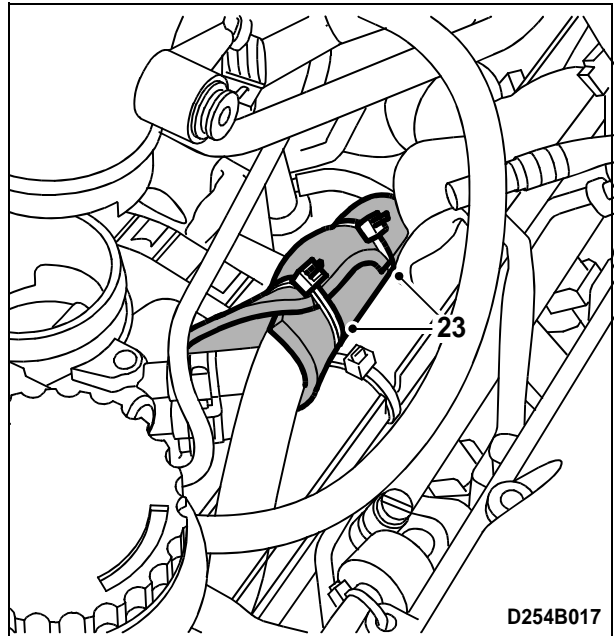
- 20 Install the crankcase ventilation hose in so that the check valve is located above the coolant hoses. The crankcase ventilation hose must follow the route of the lower coolant hose through the intake manifold and then on to the oil trap.



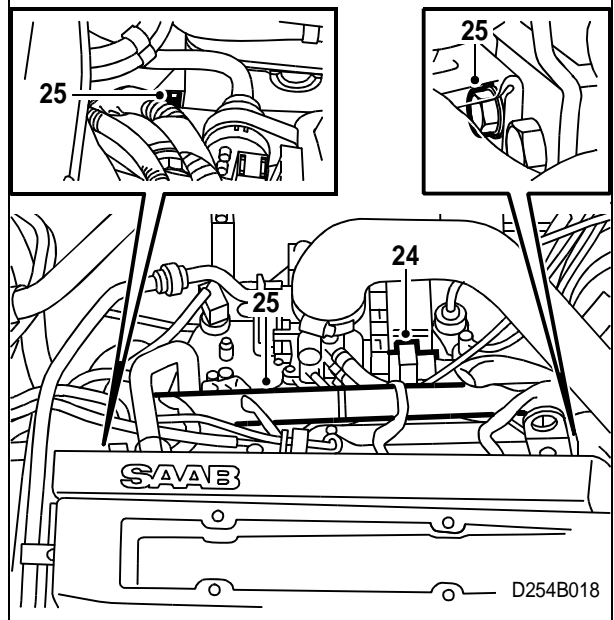
- 21 Connect the oil trap's upper hoses. If the hose with part no. 55 560 463 is replaced then the nipple enclosed with the hose must not be used. Use the nipple enclosed with the spare parts kit.



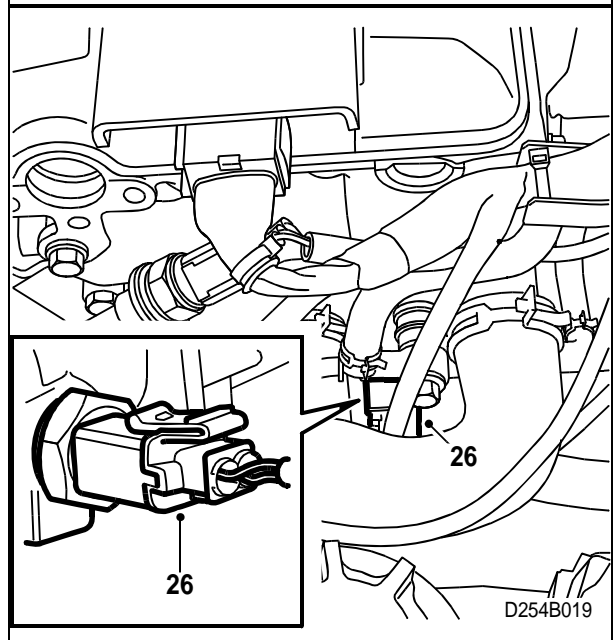
- 22 Connect the new hose kit together at the T-connection.
- 23 Make sure that the check valve has good contact with both coolant hoses. Affix a cable tie around the insulation on each side of the check valve.



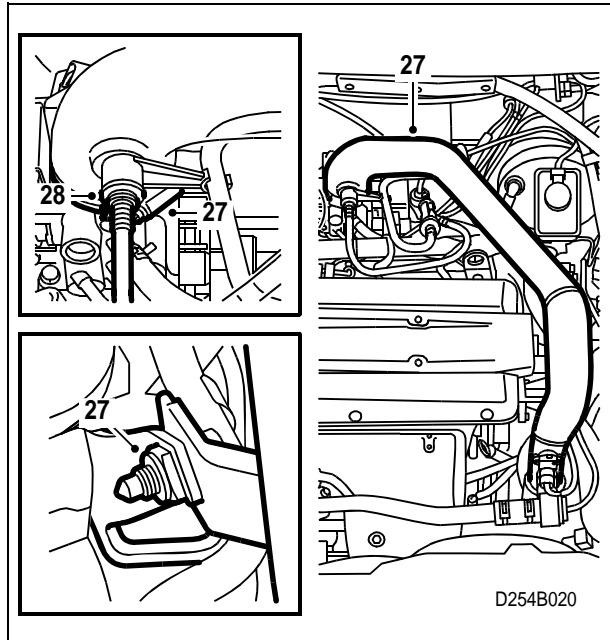
- 24 Plug the connector into the throttle body.
- 25 Fit the cable duct to the cylinder head.



- 26 Plug the connector into the temperature sensor.



- 27 Install the turbocharger delivery pipe. If necessary, replace the throttle body O-ring.
- 28 **Man:** Install the vacuum pipe.
- 29 Connect the hoses to the nipple on the camshaft cover.
- 30 Install the upper engine cover.
- 31 Connect the cable to the battery's negative terminal.
- 32 Set the correct time and date in SID.



Warranty/Time Information

In the case of customer complaint and if the car is **within the warranty period**, use the following information to fill out the claim:

Failed Object: 21216

Fault/Reason code: 57

Location code: 09 (US=9)

Warranty Type (US): 01

Repair/Action code: 05

Labour Operation (US): 2121602

Labour Operation (CA): J6025

Time: 0.9 hr